



Evo America, LLC  
 20360 SW Avery Ct.  
 Tualatin, OR 97062  
 503-626-1802  
 evoamerica.com



Model# **10-0053-30**

## Cart for Evo® Affinity 30G Cooktop



*Evo Cooktop sold separately.*

### SHORT FORM SPECIFICATIONS:

Turn your Evo Affinity 30G grill into a cart version with the custom 30G stainless steel grill cart. It is designed specifically for model 10-0055 with swiveling casters for easily moving the grill around your patio. The grill cart features durable 304 and 430 grade stainless steel construction with folding side shelves and double doors and shelf for storing tools and accessories. The Evo grill can be removed from cart and dropped into your future custom outdoor kitchen.

*Evo Affinity 30G cooktop sold separately.*

### Grill Cart with Casters

#### CART ONLY

#### Converts the Evo Affinity 30G Drop-in Cooktop to a Free Standing Grill

- Fits Evo Affinity 30G drop-in grill.
- Stainless steel construction is durable in outdoor conditions.
- 3" heavy duty brake front casters allow you to reposition the grill as needed and lock in place.
- 12" (304.8mm) folding side shelves provide extra food prep and work space.
- Front side magnetically latched double doors and shelf for storing tools and accessories.
- Right side compartment for LP tank storage.
- Left side storage compartment with shelf.
- Magnetically latched double doors and shelf for storing tools and accessories.
- Affinity 30G is installed into Cart at factory if ordered together.



**Side Shelves Down**

### Data

Item #	For Evo Model	Cart Dimensions				Cart Weight
		H	W (Sides up)	W (Sides Down)	D	
10-0053-30	Affinity 30G	36" 914.4mm	64.2" 1630.7mm	40.2" 1021.1mm	31.4" 797.56mm	220 lbs 99.8 kg

Due to ongoing product improvement, specifications are subject to change without notice.



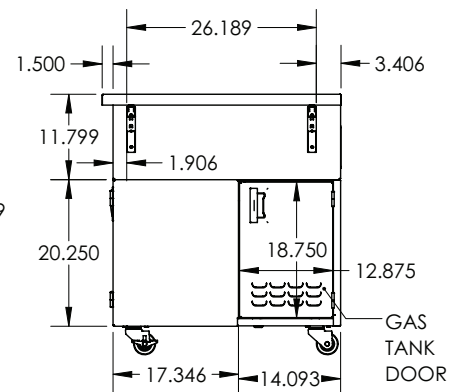
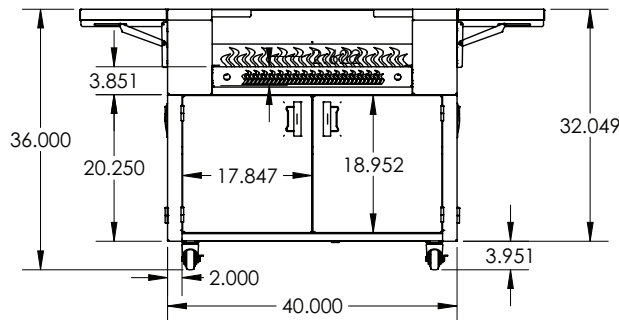
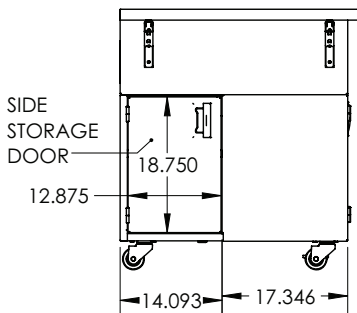
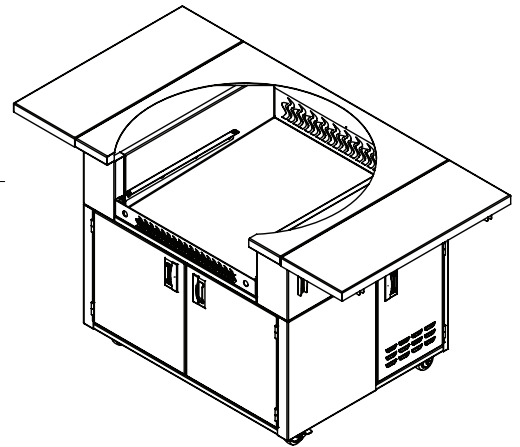
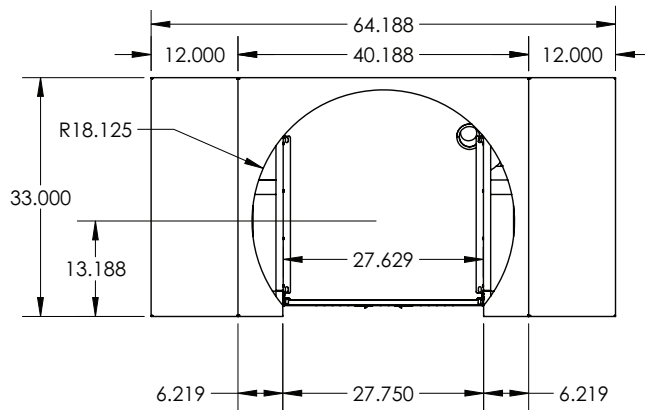


Model# 10-0053-30

# Cart for Evo® Affinity 30G Cooktop



Evo Cooktop sold separately.



Evo America, LLC, 20360 SW Avery Ct., Tualatin, OR 97062  
Ph 503-626-1802 • evoamerica.com • sales@evoamerica.com

Evo is protected under U.S. Patents 9,897,328, 9,869,474, 10,139,113, 9,903,595, 10,842,540, 7,825,353 and U.S. Patents Pending.