



Evo America, LLC  
20360 SW Avery Ct.  
Tualatin, OR 97062  
503-626-1802  
evoamerica.com

Project: \_\_\_\_\_  
Location: \_\_\_\_\_  
Item #: \_\_\_\_\_ Qty: \_\_\_\_\_  
Model #: \_\_\_\_\_

AIA #

SIS#

10-0070-DCS

Model# **10-0070-DCS**

## Evo® Affinity 30Gp DCS



### Gas Display Cooking Station

#### INDOOR

#### Circular Cooktop With Display Cooking Station

- 30" (762mm) circular black seasoned steel cooking surface.
- 1/4" (6.35mm) thick conditioned steel cooking surface retains heat for more consistent temperatures.
- Two circular temperature zones: inner and outer surface.
- Variable temperatures 225°F to 525°F (121°C to 274°C).
- Natural Gas 36,267 BTUs, LP Propane 37,638 BTUs.
- Knobs separately control inner and outer burners.
- Electronic push button ignition and standing gas pilot light.
- Open storage space under cooktop.
- Locking casters or optional adjustable seismic feet.
- Natural Gas or LP Propane gas option.

#### Designed For Display Kitchens And Cafeterias

- Zero clearance to adjoining counters and cabinetry.
- Type-1 ventilation hood recommended
- Stainless steel construction for easy cleaning.

#### Easy Operation, Easy Maintenance, Easy Cleanup

- Food service staff skill level: Intermediate.
- Cooking techniques: sauté, braise, flattop (plancha) grilling, deep fry, pan fry, roast, poach, steam, toast.
- Cooktop surface is extremely durable and easy to clean.
- Stainless steel cabinet is easy to clean.

#### SHORT FORM SPECIFICATIONS:

The Evo Affinity 30Gp Display Cooking Station has a 30" (762mm) diameter, 1/4" (6.35mm) thick, black seasoned steel cook surface heated underneath by inner and outer gas tube burners. Surface temperatures range from 225°F to 525°F (121°C to 274°C) from the center to the outside edge. The Affinity 30Gp DCS has a free standing stainless steel cabinet with open storage space. Available with either Natural Gas or LP Propane. An ideal solution for any indoor display cooking venue.

### Data

Model	Cook Surface	Dimensions			BTU Rate	Net Weight	Ship Weight
		H	W	D			
10-0070-DCS	30 Inches	39 3/4" 991mm	50" 1270mm	36" 914mm	NG 36,267 LP 37,638	345 lbs 157 kg	430 lbs 195 kg



Due to ongoing product improvement, specifications are subject to change without notice.



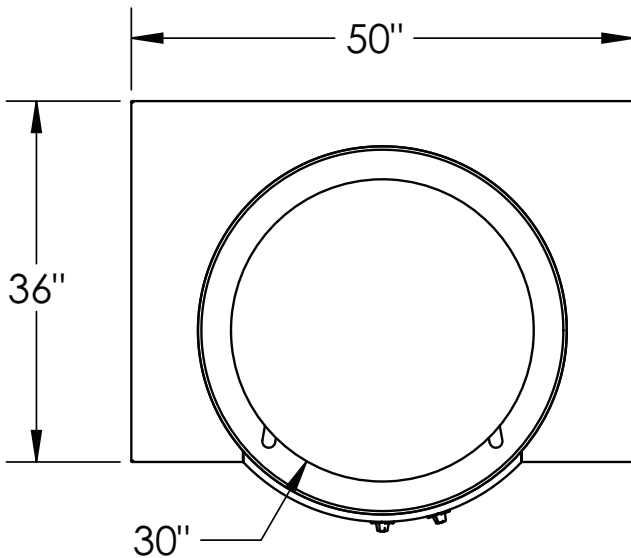
Approvals:

Available At:

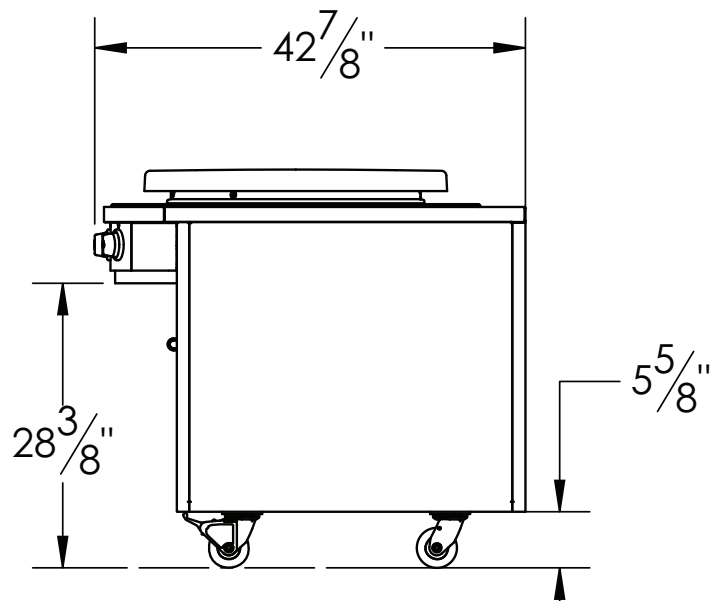
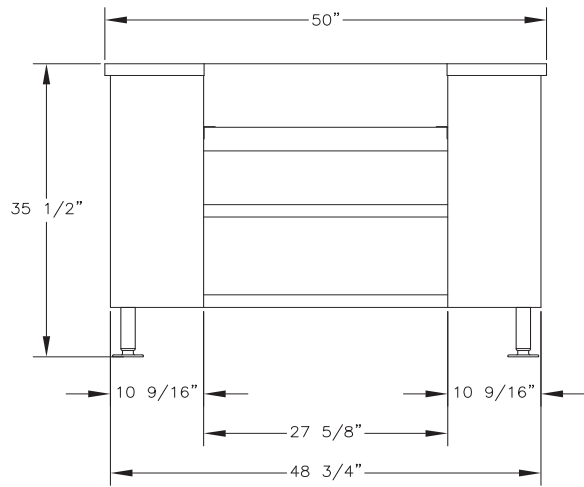


Model# **10-0070-DCS**

**Evo® Affinity 30Gp DCS**



Available with seismic feet or locking casters



**INSTALLATION REQUIREMENTS**

Cooking surface must be installed level.  
Use adequate ventilation.

**NATURAL GAS CONNECTION**

OPERATING PRESSURE  
Inlet gas pressure of 7" water column.  
INLET / SUPPLY CONNECTION  
1/2" NPT to 3/8" Flare supplied.  
BTUs: 36,267  
CONNECTION LOCATION  
Gas inlet right rear chassis.

**LP PROPANE CONNECTION**

OPERATING PRESSURE  
Inlet gas pressure of 11" water column.  
INLET / SUPPLY CONNECTION  
1/2" NPT to 3/8" Flare supplied.  
BTUs: 37,638  
CONNECTION LOCATION  
Gas pipe right rear chassis.

**DIMENSIONS**

MAXIMUM (H X W x D)  
39-3/4" x 50" x 36" (991mm x 1270mm x 914mm)  
COOK SURFACE  
30" diameter (762mm)

**WEIGHT**

NET: 345 lb EST. (157 kg)  
SHIP: 430 lb EST (195 kg)  
  
CRATE DIMENSIONS: 43.5" x 58" x 44" (1104mm x 1473mm x 1117mm)

**STANDARD FEATURES**

- 30" circular black seasoned steel cook surface built into stainless steel cabinet with storage shelves.
- 2 removable spill over trays contained in front opening doors.

**ACCESSORIES INCLUDED**

- Professional grill surface cleaning kit (3M brand) - Includes handle, cook surface cleaning pad and screen.
- 2 stainless steel spatulas and 1 stainless steel scraper.
- Owner's Manual & Use and Care Instructions.

Evo America, LLC, 20360 SW Avery Ct., Tualatin, OR 97062  
Ph 503-626-1802 • [evoamerica.com](http://evoamerica.com) • [sales@evoamerica.com](mailto:sales@evoamerica.com)

Evo is protected under U.S. Patents 9,897,328, 9,869,474, 10,139,113, 9,903,595, 10,842,540, 7,825,353 and U.S. Patents Pending.