



Evo America, LLC
20360 SW Avery Ct.
Tualatin, OR 97062
503-626-1802
evoamerica.com

Project: _____
Location: _____
Item #: _____ Qty: _____
Model #: _____

AIA #

SIS#

10-0070

Model# **10-0070**

Evo® Affinity 30Gp

Drop-In Gas Cooktop

INDOOR

Circular Presentation Cooktop Designed For Fast Temperature Recovery and Variable Heat Control

- 30" (762mm) circular black seasoned steel cooking surface.
- 1/4" (6.35mm) thick conditioned steel cooking surface retains heat for more consistent temperatures.
- Two circular temperature zones: inner and outer surface.
- Variable temperatures 225°F to 525°F (121°C to 274°C).
- With Natural Gas 36,267 BTUs.
- With LP Propane gas 32,307 BTUs.
- Knobs separately control inner and outer burners.
- Electronic push button ignition and standing gas pilot light.
- Natural Gas standard, and LP Propane gas option.

Designed For Commercial Indoor Kitchens

- Chassis clearance to combustibles with 3/8" min clearance.
- Install to front-line counters or right angle counter configurations.
- Circular cook surface and radius control panel opens design possibilities.
- AutoCAD libraries listed on The KCL catalog.

Easy Operation, Easy Maintenance, Easy Cleanup

- Food service staff skill level: Intermediate.
- Cooking techniques: sauté, braise, flattop (plancha) grilling, deep fry, pan fry, roast, poach, steam, toast.
- Cook surface is extremely durable and easy to clean.
- Stainless steel burners are protected against spill overs.
- Stainless steel drip pan surrounds cook surface with forward spillover slots to dual spill collection trays.
- Spill collection trays are conveniently located in doors at each outward side of control panel.



SHORT FORM SPECIFICATIONS:

The Evo Affinity 30Gp has a 30" (762mm) diameter, 1/4" (6.35mm) thick black seasoned steel cook surface heated underneath by inner and outer cook surface zones. Evo's technology allows independent heat adjustment across inner and outer cook surface zones for managing a wide range of menu possibilities. Surface temperatures range from 225°F to 525°F (121°C to 274°C) from the center to the outside edge. Operating on either Natural Gas or Propane Gas, the Affinity 30Gp Cooktop is an ideal solution for Front Of House exhibition cooking.

Optional Accessories



Trim Kit
Countertop Cutout
11-0123-ATK



Top Mount Chassis
Standalone Converter
11-0120-ATM

Data

Model	Cook Surface	Dimensions		BTU Rate	Net Weight	Ship Weight
		H	W			
10-0070	30 Inches	11 3/8" 289mm	36 5/32" 918mm	NG 36,267 LP 32,307	183 lbs 83 kg	255 lbs 116 kg



Due to ongoing product improvement, specifications are subject to change without notice.



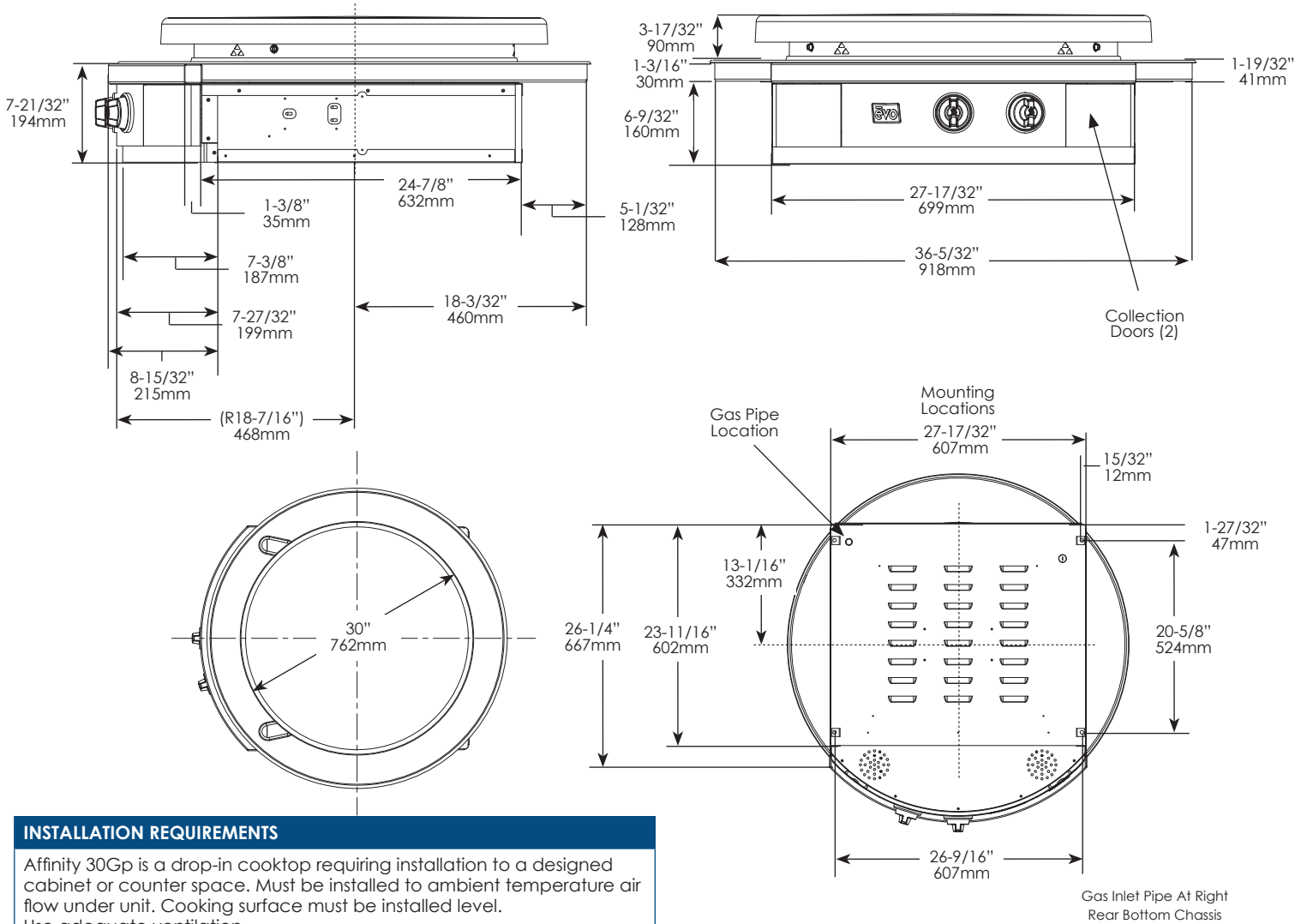
Approvals:

Available At:



Model# **10-0070**

Evo® Affinity 30Gp



INSTALLATION REQUIREMENTS

Affinity 30Gp is a drop-in cooktop requiring installation to a designed cabinet or counter space. Must be installed to ambient temperature air flow under unit. Cooking surface must be installed level. Use adequate ventilation.

NATURAL GAS CONNECTION

OPERATING PRESSURE
 Inlet gas pressure of 7" water column.
INLET / SUPPLY CONNECTION
 1/2" NPT to 3/8" Flare supplied.
 BTUs: 36,267
CONNECTION LOCATION
 Gas inlet right rear chassis.

LP PROPANE CONNECTION

OPERATING PRESSURE
 Inlet gas pressure of 11" water column.
INLET / SUPPLY CONNECTION
 1/2" NPT to 3/8" Flare supplied.
 BTUs: 32,307
CONNECTION LOCATION
 Gas pipe right rear chassis.

DIMENSIONS

MAXIMUM (H X W)
 11 3/8" x 36-5/32" (289mm x 918mm)
COOK SURFACE
 30" diameter (762mm)

WEIGHT

NET: 183 lb EST. (83 kg)
 SHIP: 255 lb EST (116 kg)
 CRATE DIMENSIONS: 42" x 42" x 24" (1066mm x 1066mm x 610mm)

STANDARD FEATURES

- 30" circular black seasoned steel cook surface over dual independent manually controlled gas burners.
- 2 removable spill over trays contained in front doors.
- Electronic push button ignition.
- Mounting brackets included.

ACCESSORIES INCLUDED

- Professional grill surface cleaning kit (3M brand) - Includes handle, cook surface cleaning pad and screen.
- 2 stainless steel spatulas and 1 stainless steel scraper.
- Owner's Manual & Use and Care Instructions.

Evo America, LLC, 20360 SW Avery Ct., Tualatin, OR 97062
 Ph 503-626-1802 • evoamerica.com • sales@evoamerica.com

Evo is protected under U.S. Patents 9,897,328, 9,869,474, 10,139,113, 9,903,595, 10,842,540, 7,825,353 and U.S. Patents Pending.