



Evo, Inc.  
 20560 SW 115th Ave.  
 Tualatin, OR 97062  
 P 503-626-1802 • F 503-213-5869  
 www.evoamerica.com

Model# **11-0126-ATK**

## Trim Kit for Evo® 25G Cooktop



*Evo Cooktop sold separately.*

### SHORT FORM SPECIFICATIONS:

The Evo 11-0126-ATK Trim Kit is designed for easy installation of the Evo Affinity 25G Circular Cooktop drop-in unit to countertop cutout. The Trim Kit is constructed of 304 16 and 18 gauge stainless steel. All exposed surfaces have a number 4 finish. *Evo Cooktop sold separately.*

### Square Insert

#### ACCESSORY

#### Designed For Easy Installation of the Affinity 25G Drop-in Cooktop

- Allows drop-in installation of Evo Affinity 25G to countertop cutout.
- 16-gauge and 18-gauge stainless steel construction with #4 brushed finish on outside surfaces.
- Stainless steel cabinet construction for easy cleaning and weather resistance.
- Corners are fully welded, ground smooth and blended.



Shown with 25G Installed

## Data

Part #	For Evo Model	Trim Kit Dimensions			Trim Kit Weight
		H	W	D	
11-0126-ATK	Affinity 25G	9 5/8" 245mm	34 1/2" 876mm	29" 737mm	17 lbs 7.7 kg

Due to ongoing product improvement, specifications are subject to change without notice.

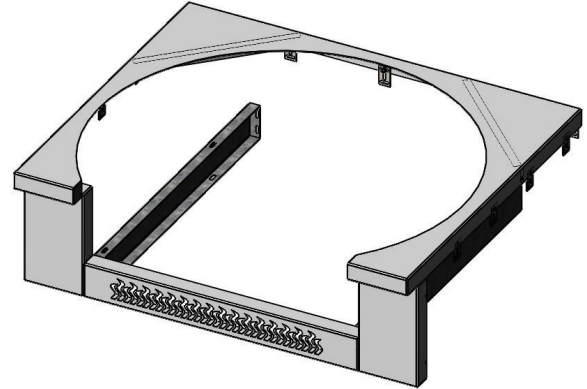
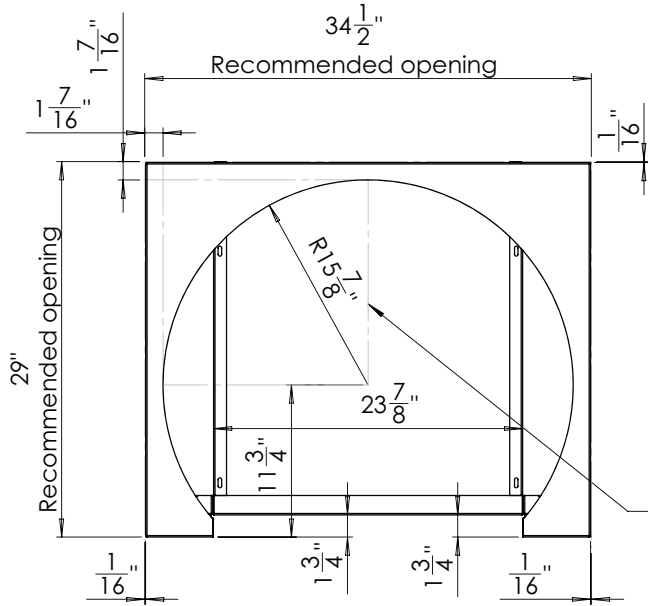




Model# **11-0126-ATK**

## Trim Kit for Evo® 25G Cooktop

*Evo Cooktop sold separately.*



LINE OF SYMETRY

