



Evo, Inc.  
 20560 SW 115th Ave.  
 Tualatin, OR 97062  
 P 503-626-1802 • F 503-213-5869  
 www.evoamerica.com

Model# 11-0123-ATK

## Trim Kit for Evo® 30G Cooktop

### Square Insert with Vent Panel

#### ACCESSORY

Designed For Easy Installation of the Affinity 30G Drop-in Cooktop

- Allows drop-in installation of Evo Affinity 30G & 30Ge Cooktop to countertop cutout.
- Provides recommended clearance for combustion.
- 16-gauge and 18-gauge stainless steel construction with #4 brushed finish on outside surfaces.
- Stainless steel cabinet construction for easy cleaning and weather resistance.
- Corners are fully welded, ground smooth and blended.
- Front vent panel.



*Evo Cooktop sold separately.*



Shown with 30G Installed

#### SHORT FORM SPECIFICATIONS:

The Evo 11-0123-ATK Trim Kit is designed for easy installation of the Evo Affinity 30G & 30Ge Circular Cooktop drop-in unit to countertop cutout. The Trim Kit is constructed of 304 16 and 18 gauge stainless steel. All exposed surfaces have a number 4 finish. *Evo Cooktop sold separately.*

## Data

Part #	For Evo Model	Trim Kit Dimensions			Trim Kit Weight
		H	W	D	
11-0123-ATK	Affinity 30G & 30GE	10 5/8" 270mm	40" 1016mm	33 1/8" 841mm	23 lbs 10.4 kg

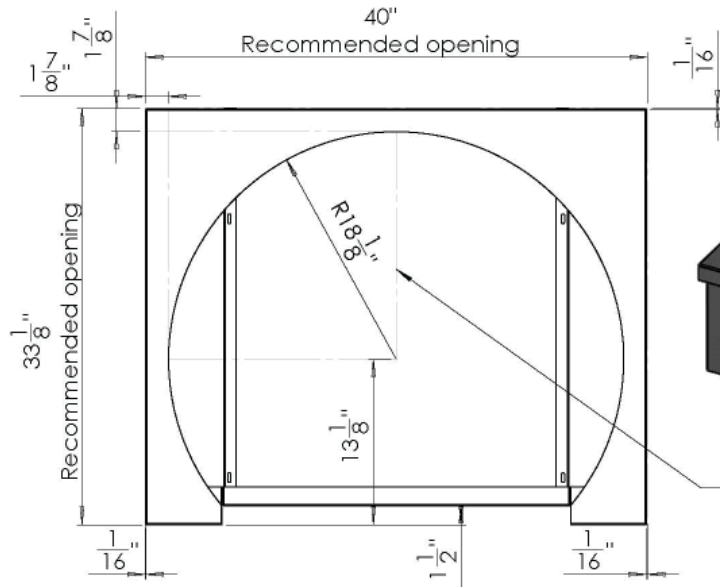
Due to ongoing product improvement, specifications are subject to change without notice.





Model# 11-0123-ATK

# Trim Kit for Evo® 30G Cooktop



*Evo Cooktop sold separately.*

