



Evo, Inc.
 20560 SW 115th Ave.
 Tualatin, OR 97062
 P 503-626-1802 • F 503-213-5869
 www.evoamerica.com

Model# 10-0051

Evo® Affinity 30Ge - Residential



Drop-In Gas Cooktop

INDOOR

Circular Cooktop Grill Designed To Create A Social Cooking Space In Indoor Residential Kitchens

- 30" (762mm) circular ceramic clad steel cooking surface.
- Two temperature zones between inner and outer surface.
- Variable temperatures 225°F to 550°F (121°C to 288°C).
- Natural Gas 46,000 BTUs, LP Propane 48,000 BTUs.
- Knobs separately control inner and outer burners.
- Digital temperature display for inner and outer zones.
- Natural Gas standard, and LP Propane gas option.

Designed For Custom Built-in Installations

- Install to steel, or combustibles with 3/8" min. clearance.
- Install to end base or right angle counter configurations.
- Circular cooking surface and front radius control panel extends your design possibilities.

Easy Operation, Easy Maintenance, Easy Cleanup

- Cooking techniques: sauté, braise, flattop (plancha) grilling, deep fry, pan fry, roast, poach, steam, toast.
- Cook surface is extremely durable and easy to clean.
- Stainless steel burners are protected against spill overs.
- Stainless steel drip pan surrounds cook surface with forward spillover slots to dual spill collection trays.
- Spill collection trays are located in doors at each outward side of control panel.

SHORT FORM SPECIFICATIONS:

The Evo Affinity 30Ge has a 30" (762mm) diameter ceramic clad steel cook surface heated underneath by inner and outer cook surface zones. Foods can be prepared directly on the cook top, and pots and pans may be used as in traditional stove top cooking (either separately or simultaneously). Surface temperatures range from 225°F to 550°F (121°C to 288°C) from the center to the outside edge. Operating on either Natural Gas or Propane LP Gas, the Affinity 30Ge Cooktop is an ideal solution for creating a social cooking space in your indoor kitchen.

Optional Accessories



30Ge Trim Kit
 Countertop Cutout
 11-0123-ATK

Data

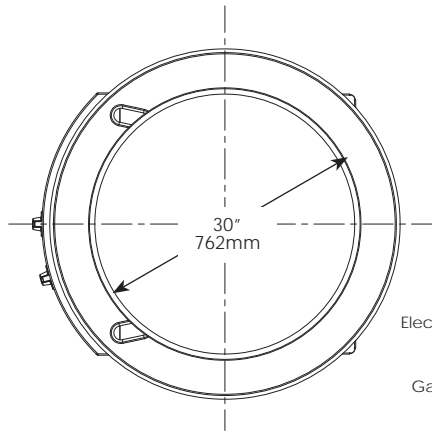
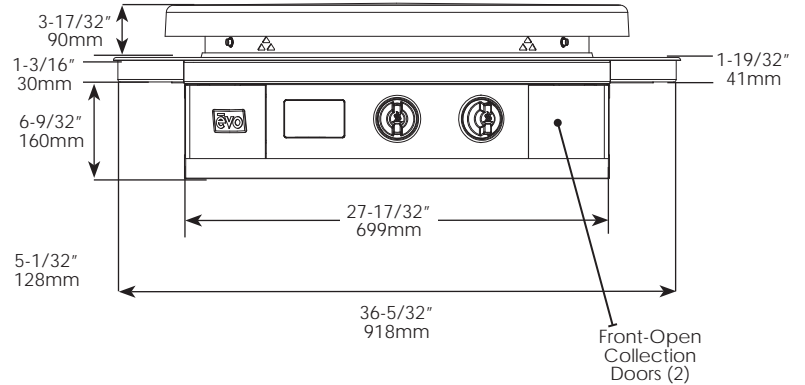
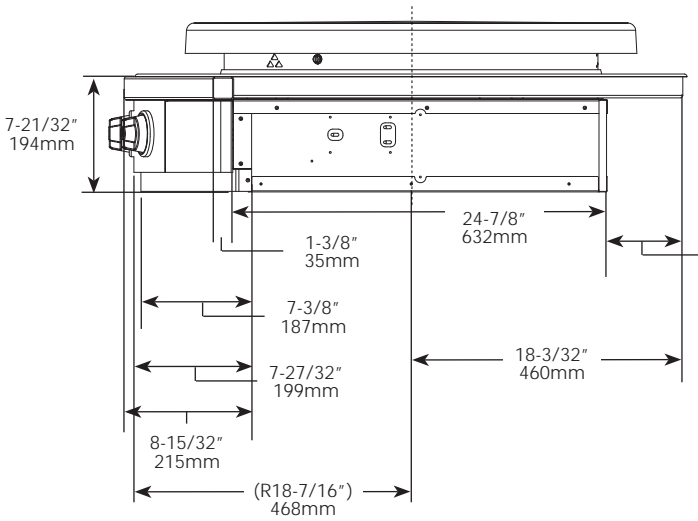
Model	Cook Surface	Dimensions		Voltage	Amps	BTU Rate	Net Weight	Ship Weight
		H	W					
10-0051	30 Inches	11 3/8" 289mm	36 5/32" 918mm	120VAC 60Hz 1-Phase	<1.5 AMP	NG 46,000 LP 48,000	163 lbs 73.9 kg	235 lbs 106.6 kg

Due to ongoing product improvement, specifications are subject to change without notice.

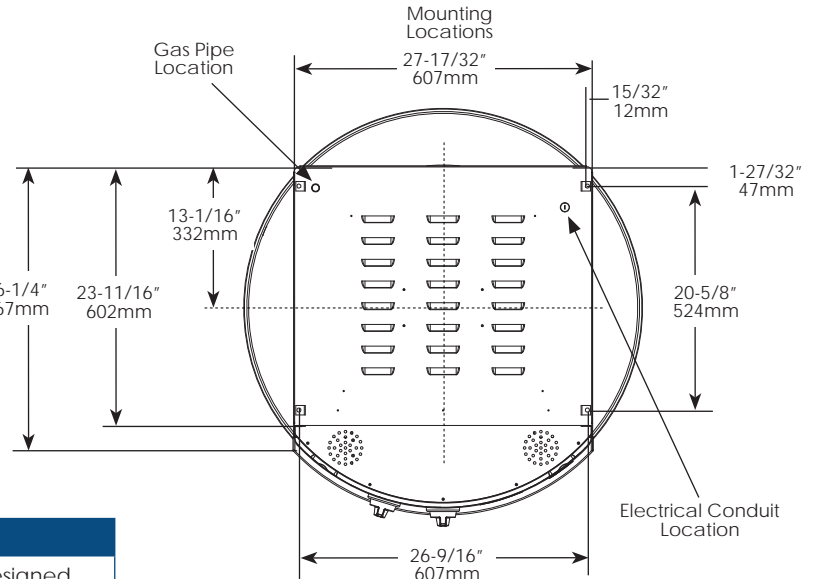




Model# **10-0051** **Evo® Affinity 30Ge - Residential**



Electrical Conduit At Left Rear Bottom Chassis.
Gas Inlet Pipe at Right Rear Bottom Chassis



INSTALLATION REQUIREMENTS

Affinity 30Ge is a drop-in cooktop requiring installation to a designed cabinet or counter space. Must be installed to ambient temperature air flow under unit. Cooking surface must be installed level. Use adequate ventilation.

ELECTRICAL CONNECTION

VOLTAGE
120VAC, 60Hz, 1 - Phase
AMPS
<1.5
CONNECTION
3-Wire Conduit with #10 Ground Wire
CONNECTION LOCATION
Electrical conduit location left rear bottom chassis.

NATURAL GAS CONNECTION

OPERATING PRESSURE
Regulator is installed for an outlet pressure of 4" of water column.
INLET / SUPPLY CONNECTION
1/2" FNPT Inlet. Not to exceed 1/2 PSI.
BTUs
46,000
CONNECTION LOCATION
Gas inlet right rear chassis.

LP PROPANE CONNECTION

OPERATING PRESSURE
Installed regulator set to an outlet pressure of 10" of water column.
INLET / SUPPLY CONNECTION
1/2" FNPT Inlet. Not to exceed 1/2 PSI.
BTUs
48,000
CONNECTION LOCATION
Gas inlet right rear chassis.

DIMENSIONS

MAXIMUM (H X W)
11 3/8" x 36-5/32" (289mm x 918mm)
COOK SURFACE
30" diameter (762mm)

WEIGHT

NET: 163 lb EST. (73.9 kg)
SHIP: 235 lb EST (106.6 kg)

CRATE DIMENSIONS: 42" x 42" x 24" (1066mm x 1066mm x 610mm)

STANDARD FEATURES

- 30" circular ceramic clad steel cook surface over dual zone electric heater.
- 2 removable trays contained in front-open doors under circular drip pan.
- Mounting brackets included.

ACCESSORIES INCLUDED

- Professional grill surface cleaning kit (3M brand) - Includes handle, cook surface cleaning pad and screen.
- 2 stainless steel spatulas, 1 stainless steel scraper, stainless steel cleaner and protectant.
- Owner's Manual, Use & Care Instructions and Evo Color Illustrated Cookbook.