



Evo, Inc.  
 8140 SW Nimbus Ave., Bldg 5  
 Beaverton, OR 97008  
 P 503-626-1802 • F 503-213-5869  
 www.evoamerica.com

Model# 10-0061-EL

## Evo® Affinity 25E - Residential

### Drop-In Electric Cooktop

#### INDOOR



#### SHORT FORM SPECIFICATIONS:

The Evo Affinity 25E has a 25" (635mm) diameter ceramic clad steel cook surface heated underneath by inner and outer cook surface zones. Foods can be prepared directly on the cook top, and pots and pans may be used as in traditional stove top cooking (either separately or simultaneously). Surface temperatures range from 150°F to 525°F (66°C to 274°C) from the center to the outside edge. Operating on 208V -230V, the Affinity 25E Cooktop is an ideal solution for creating a social cooking space in your indoor kitchen.

#### Circular Cooktop Grill Designed To Create A Social Cooking Space In Indoor Residential Kitchens

- 25" (635mm) circular ceramic clad steel cooking surface.
- Two circular temperature zones: inner and outer surface.
- Variable temperatures 150°F to 525°F (66°C to 274°C).
- Knobs separately control inner and outer burners.
- Digital temperature display for inner and outer zones.

#### Designed For Custom Built-in Installations

- Drop-in installation required.
- Install to stone or wood with zero clearance requirement.
- Install to end base or right angle counter configurations.
- Circular cooking surface and front radius control panel extends your design possibilities.

#### Easy Operation, Easy Maintenance, Easy Cleanup

- Cooking techniques: sauté, braise, flattop (plancha) grilling, deep fry, pan fry, roast, poach, steam, toast.
- Cook surface is extremely durable and easy to clean.
- Electric heater is protected against spill overs.
- Stainless steel drip pan surrounds cook surface with forward spillover slots to dual spill collection trays.
- Spill collection trays are located in drawers at each outward side of control panel.

### Optional Accessories



**25E Trim Kit**  
 Countertop Cutout  
 11-0126-ATK

### Data

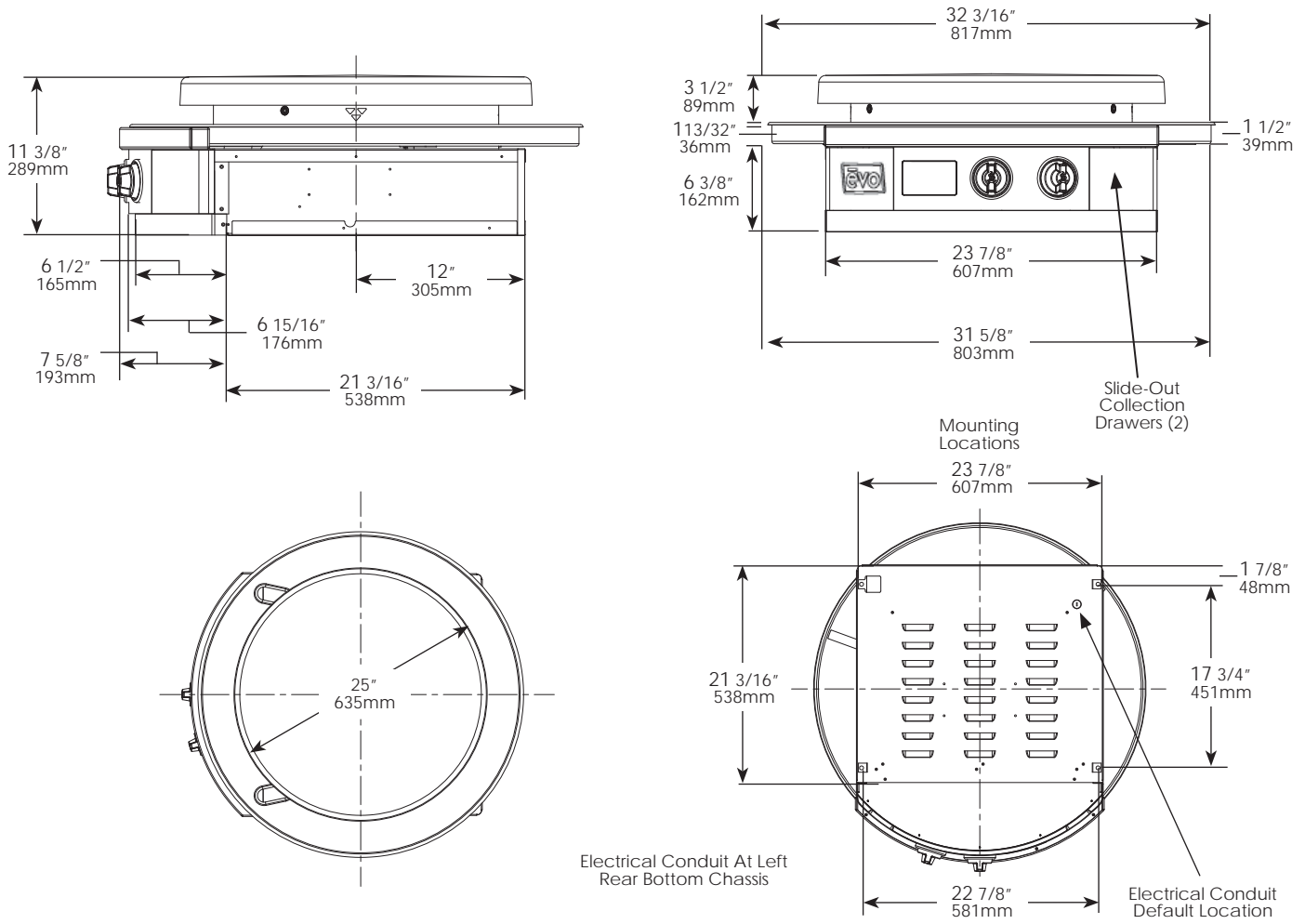
Model	Cook Surface	Dimensions		Voltage	Amps	Connection Type	Net Weight	Ship Weight
		H	W					
10-0061-EL	25 Inches	11 3/8" 289mm	32 3/16" 817mm	208V - 230V 60Hz 1-Phase	30	3-Wire Conduit w/ #10 Ground Wire	128 lbs 58.1 kg	200 lbs 90.7 kg

Due to ongoing product improvement, specifications are subject to change without notice.





Model# **10-0061-EL** **Evo® Affinity 25E - Residential**



**INSTALLATION REQUIREMENTS**

Unit must be installed level.  
Use adequate ventilation.

**ELECTRICAL CONNECTION**

**VOLTAGE**  
208V - 230V, 60Hz, 1 - Phase

**AMPS**  
30

**CONNECTION**  
3-Wire Conduit with #10 Ground Wire, Current 30AMP Dedicated

**CONNECTION LOCATION**  
Electrical conduit default location left rear bottom chassis.  
Optional knockout left rear side chassis.

**DIMENSIONS**

11 3/8" x 32-3/16" (289mm x 817mm)

**COOK SURFACE**  
25" diameter (635mm)

**STANDARD FEATURES**

- 25" circular ceramic clad steel cook surface over dual zone electric heater.
- 2 removable trays contained in front-mount, slide-out drawers under circular drip pan.
- Mounting bracket included.

**WEIGHT**

NET: 128 lb EST. (58.1 kg)  
SHIP: 200 lb EST (90.7 kg)

CRATE DIMENSIONS: 42" x 42" x 24" (1066mm x 1066mm x 610mm)

**ACCESSORIES INCLUDED**

- Professional grill surface cleaning kit (3M brand) - Includes handle, cook surface cleaning pad and screen.
- 2 stainless steel spatulas, 1 stainless steel scraper, stainless steel cleaner and protectant.
- Owner's Manual, Use & Care Instructions and Evo Color Illustrated Cookbook.