



Evo, Inc.  
8140 SW Nimbus Ave., Bldg 5  
Beaverton, OR 97008  
P 503-626-1802 • F 503-213-5869  
www.evoamerica.com

Project: \_\_\_\_\_  
Location: \_\_\_\_\_  
Item #: \_\_\_\_\_ Qty: \_\_\_\_\_  
Model #: \_\_\_\_\_

AIA #

SIS#

10-0054

Model# 10-0054

## Evo® Affinity 30G

### Drop-In Gas Cooktop

#### OUTDOOR



#### SHORT FORM SPECIFICATIONS:

The Evo Affinity 30G has a 30" (762mm) diameter black seasoned steel cook surface heated underneath by inner and outer cook surface zones. Evo's technology allows independent heat adjustment across inner and outer cook surface zones for managing a wide range of menu possibilities. Surface temperatures range from 225°F to 550°F (121°C to 288°C) from the center to the outside edge. Operating on either Natural Gas or Propane LP Gas, the Affinity 30G Cooktop is an ideal solution for any outdoor display cooking application.

#### Circular Presentation Cooktop Designed For Fast Temperature Recovery and Variable Heat Control

- 30" (762mm) circular black seasoned steel cooking surface.
- Two circular temperature zones: inner and outer surface.
- Variable temperatures 225°F to 550°F (121°C to 288°C).
- With LP Propane gas 37,638 BTUs.
- With Natural Gas 36,267 BTUs.
- Knobs separately control inner and outer burners.
- Electronic push button ignition.
- Natural Gas standard, and LP Propane gas option.

#### Designed For Custom Specified Outdoor Display Kitchens

- Install to steel, or combustibles with 3/8" min. clearance.
- Install to end base or right angle counter configurations.
- Circular cook surface and radius control panel opens design possibilities.
- AutoCAD libraries listed on The KCL cadalog.

#### Easy Operation, Easy Maintenance, Easy Cleanup

- Food service staff skill level: Intermediate.
- Cooking techniques: sauté, braise, flattop (plancha) grilling, deep fry, pan fry, roast, poach, steam, toast.
- Cook surface is extremely durable and easy to clean.
- Stainless steel burners are protected against spill overs.
- Stainless steel drip pan surrounds cook surface with forward spillover slots to dual spill collection trays.
- Spill collection trays are conveniently located in doors at each outward side of control panel.

### Optional Accessories



**30G Trim Kit**  
Countertop Cutout  
11-0122-ATK



**30G Top Mount Chassis**  
Standalone Converter  
11-0120-ATM

### Data

Model	Cook Surface	Dimensions		BTU Rate	Net Weight	Ship Weight
		H	W			
10-0054	30 Inches	11 3/8" 289mm	36 5/32" 918mm	NG 36,267 LP 37,638	163 lbs 73.9 kg	235 lbs 106.6 kg

Due to ongoing product improvement, specifications are subject to change without notice.



Evo AutoCAD files  
www.kclcad.com

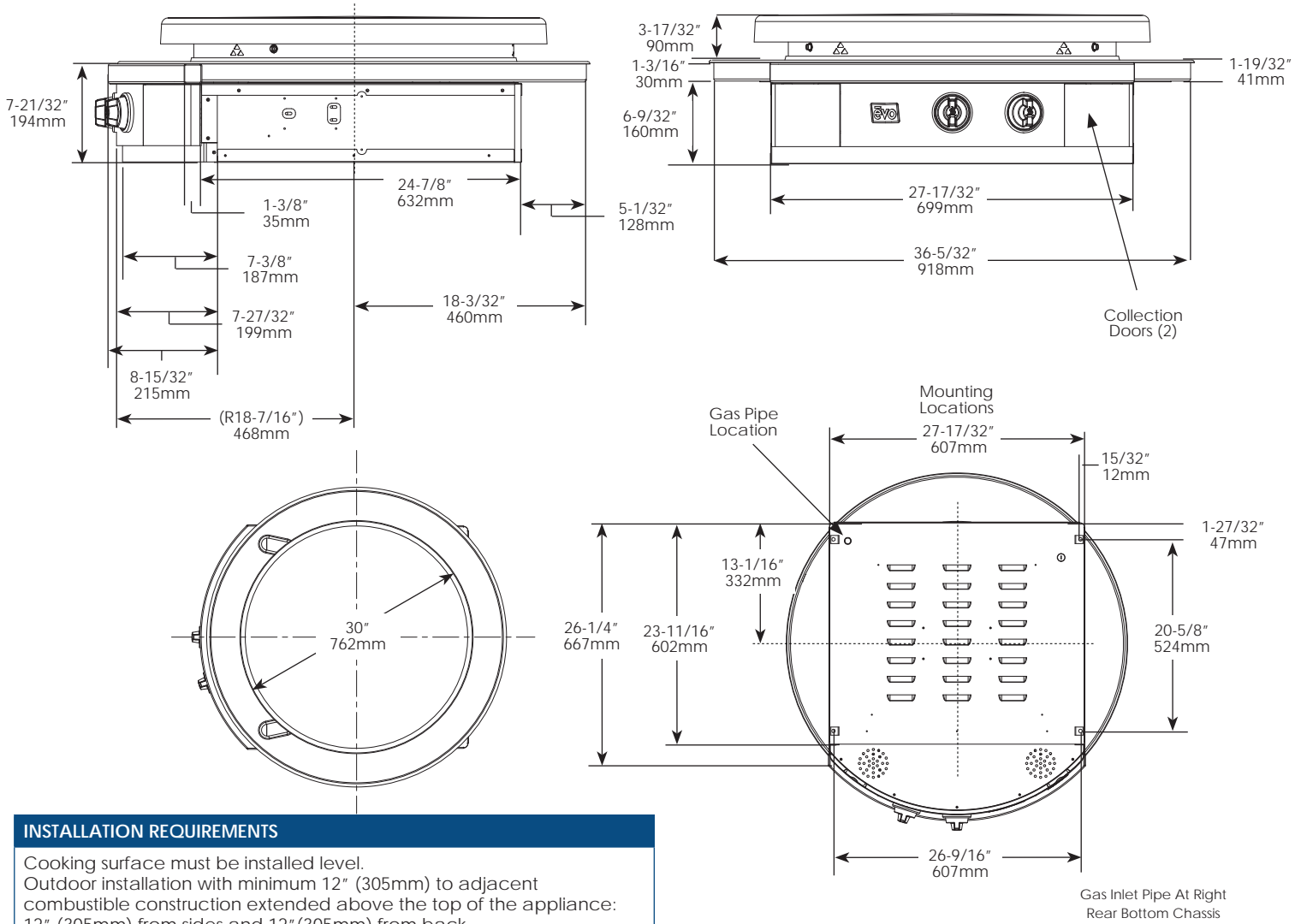


Approvals:

Available At:



Model# **10-0054** **Evo® Affinity 30G**



**INSTALLATION REQUIREMENTS**

Cooking surface must be installed level. Outdoor installation with minimum 12" (305mm) to adjacent combustible construction extended above the top of the appliance: 12" (305mm) from sides and 12" (305mm) from back.

**NATURAL GAS CONNECTION**

**OPERATING PRESSURE**  
No regulator, connect to an outlet pressure of 7" water column.  
**INLET / SUPPLY CONNECTION**  
1/2" FNPT. 12' Hose with 1/2" FNPT Quick Disconnect Supplied.  
1/2" NPT to 3/8" Flare supplied.  
BTUs: 36,267  
**CONNECTION LOCATION**  
Gas inlet right rear chassis.

**LP PROPANE CONNECTION**

**OPERATING PRESSURE**  
Regulator is set for an outlet pressure of 11" water column.  
**INLET / SUPPLY CONNECTION**  
1/2" FNPT Inlet. 5' Hose & Regulator with QCC1 Supplied.  
1/2" NPT to 3/8" Flare supplied.  
BTUs: 37,638  
**CONNECTION LOCATION**  
Gas pipe right rear chassis.

**DIMENSIONS**

**MAXIMUM (H X W)**  
11 3/8" x 36-5/32" (289mm x 918mm)  
**COOK SURFACE**  
30" diameter (762mm)

**WEIGHT**

NET: 163 lb EST. (73.9 kg)  
SHIP: 235 lb EST (106.6 kg)  
CRATE DIMENSIONS: 42" x 42" x 24" (1066mm x 1066mm x 610mm)

**STANDARD FEATURES**

- 30" circular black seasoned steel cook surface over dual independent manually controlled gas burners.
- 2 removable spill over trays contained in front doors.
- Electronic push button ignition.
- Stainless steel lid.
- Mounting brackets included.

**ACCESSORIES INCLUDED**

- Professional grill surface cleaning kit (3M brand) - Includes handle, cook surface cleaning pad and screen.
- 2 stainless steel spatulas, 1 stainless steel scraper, stainless steel cleaner and protectant.
- Owner's Manual & Use and Care Instructions.